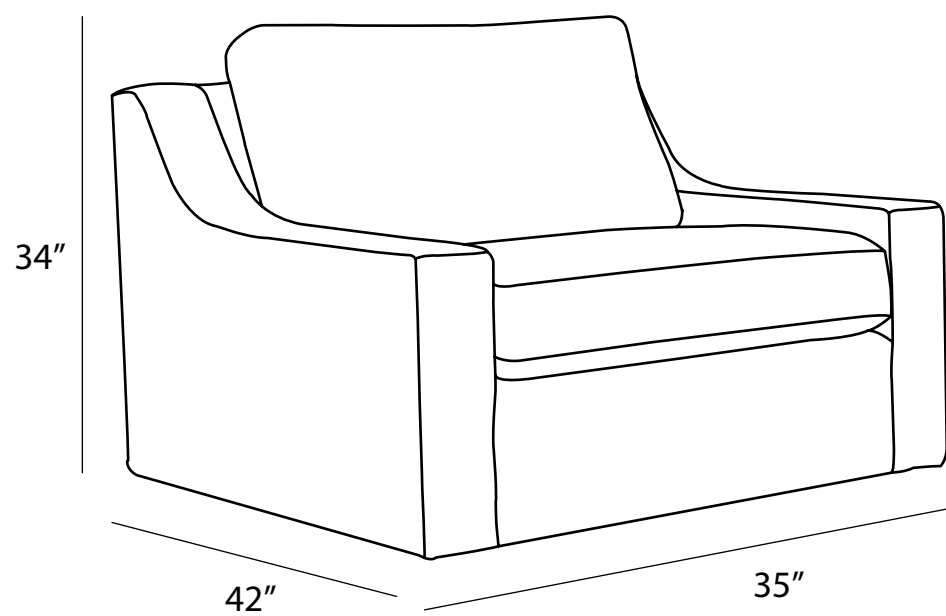




PARISIAN SLOPE ARM Chair

All our leather and fabric furniture can be customized to colour of your choice. Made by Rawhide Leather Furniture in Toronto, Canada.



Overall Dimensions

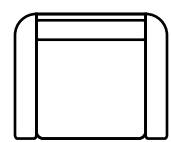
Arm Height	0"
Arm Width	6"
Seat Height	0"
Seat Depth	0"

Measurements

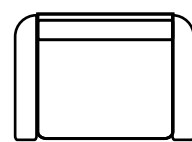
	Length	Depth	Height
Chair	35"	42"	34"
Chair (Oversize) as Shown	42"	42"	34"

***All measurements are approximate**

Available Styles



Chair



Chair (Oversize)

Details

- Available in premium Italian top & full grain leathers or premium quality fabrics
- Handcrafted in Toronto, Canada by Rawhide
- Kiln-dried Canadian ethically sourced hardwood
- Eco-friendly construction
- Standard frame only.
- Choose standard fills: Super soft, tahoe, medium, firm (poly fiber wrapped around a soya-based high density foam core)
- Down Topper (down, feather wrapped around a high density foam core)
- Choose premium fill: Feather Deluxe (down, feather envelope encased in commercial grade foam core)
- Ultra cell foam (high density foam designed for commercial and contract use)
- Rawhide Leather and Fabric Furniture offers you a lifetime warranty on the construction and springs on your piece. To find out more about the best warranty in Canada, please visit our "Construction" page.