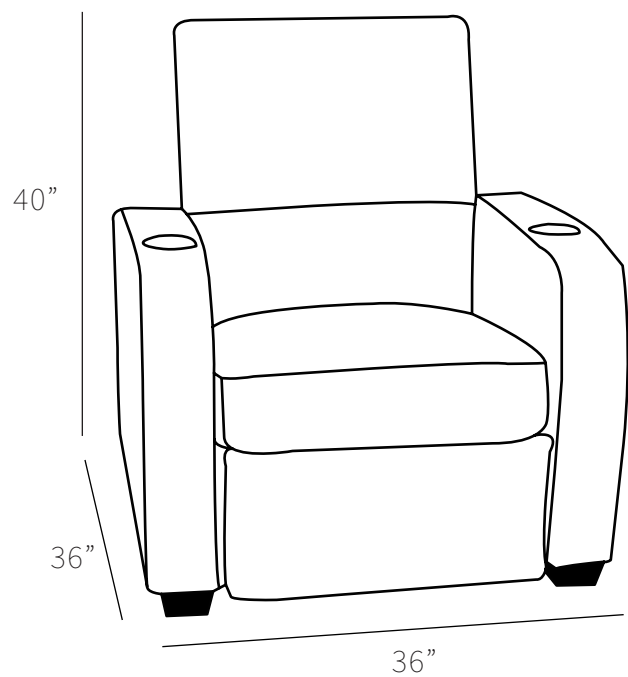




# BEV SINGLE

## Theatre Seat

All our leather and fabric furniture can be customized to the size & colour of your choice. Also available as a condo sofa, loveseat, chair or sectional of any size. Bench made by Rawhide Leather Furniture in Toronto, Canada.



### Overall Dimensions

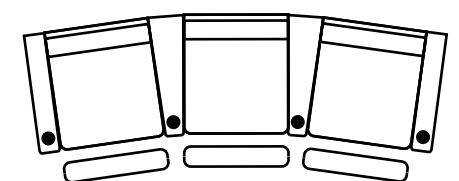
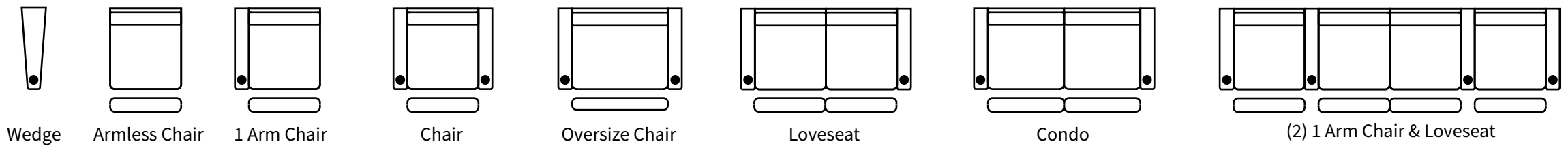
|             |     |
|-------------|-----|
| Arm Height  | 27" |
| Arm Width   | 6"  |
| Seat Height | 19" |
| Seat Depth  | 22" |

| Measurements   | Length | Depth | Height |
|----------------|--------|-------|--------|
| Chair          | 36"    | 36"   | 40"    |
| Oversize Chair | 42"    | 36"   | 40"    |

**\*All measurements are approximate**

### Available Styles

- Power optional
- NO MODIFICATIONS ON RECLINERS



### Details

- Available in premium Italian top & full grain leathers or premium quality fabrics
- Handcrafted in Toronto, Canada by Rawhide
- Kiln-dried Canadian ethically sourced hardwood
- Eco-friendly construction
- Double-doweled frame
- Corner block joinery
- Commercial Grade wall away steel reclining mechanism made in North America, available in both manual and power. Power headrests available. Standard and oversize seats available
- Wall away recliners only require 3" of clearance from the wall.
- Standard depth. Available in 23 or 30 inch seat widths
- Ultra cell firm seats standard (high density foam designed for commercial and contract use) other options available
- All furniture available with your choice of over 20 decorative nail options in varying sizes and colours. There is also the ability to omit studs from any piece
- Wood block feet available in multiple sizes and finishes. Chrome and brushed steel legs also available in multiple sizes
- Rawhide Leather and Fabric Furniture offers you a lifetime warranty on the construction and springs on your piece. To find out more about the best warranty in Canada, please visit our "Construction" page.