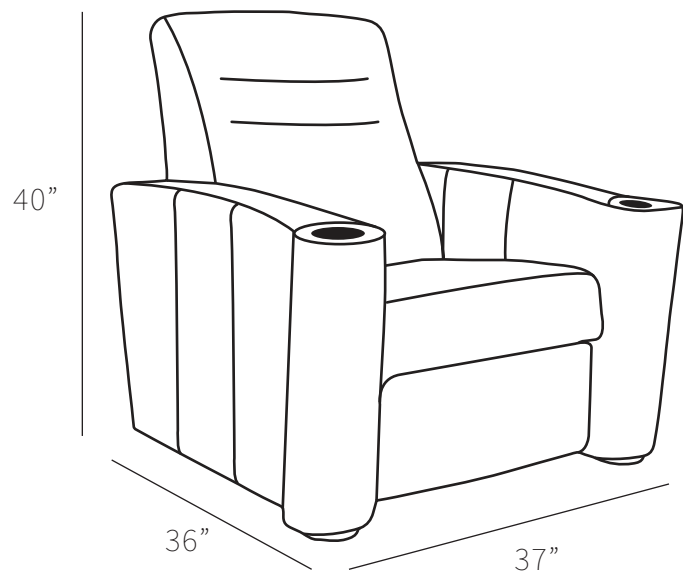




AZURE SINGLE

Theatre Seat

All our leather and fabric furniture can be customized to the size & colour of your choice. Also available as a condo sofa, loveseat, chair or sectional of any size. Bench made by Rawhide Leather Furniture in Toronto, Canada.



Overall Dimensions

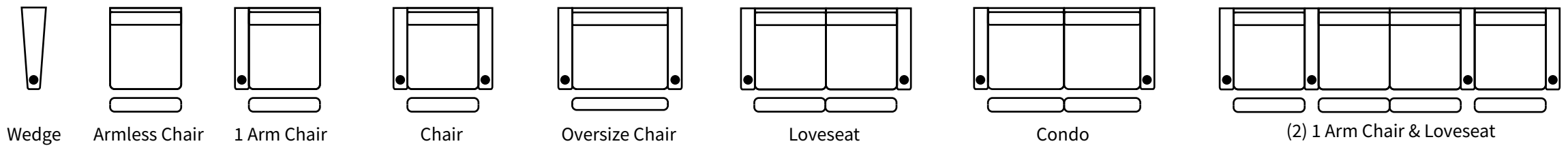
Arm Height	25"
Arm Width	7"
Seat Height	18"
Seat Depth	22"

Measurements	Length	Depth	Height
Chair	37"	36"	40"
Oversize Chair	44"	36"	40"

*All measurements are approximate

Available Styles

- Power optional
- NO MODIFICATIONS ON RECLINERS



Details

- Available in premium Italian top & full grain leathers or premium quality fabrics
- Handcrafted in Toronto, Canada by Rawhide
- Kiln-dried Canadian ethically sourced hardwood
- Eco-friendly construction
- Double-doweled frame
- Corner block joinery
- Commercial Grade wall away steel reclining mechanism made in North America, available in both manual and power. Power headrests available. Standard and oversize seats available
- Wall away recliners only require 3" of clearance from the wall.
- Standard depth. Available in 23 or 30 inch seat widths
- Ultra cell firm seats standard (high density foam designed for commercial and contract use) other options available
- All furniture available with your choice of over 20 decorative nail options in varying sizes and colours. There is also the ability to omit studs from any piece
- Wood block feet available in multiple sizes and finishes. Chrome and brushed steel legs also available in multiple sizes
- Rawhide Leather and Fabric Furniture offers you a lifetime warranty on the construction and springs on your piece. To find out more about the best warranty in Canada, please visit our "Construction" page.

