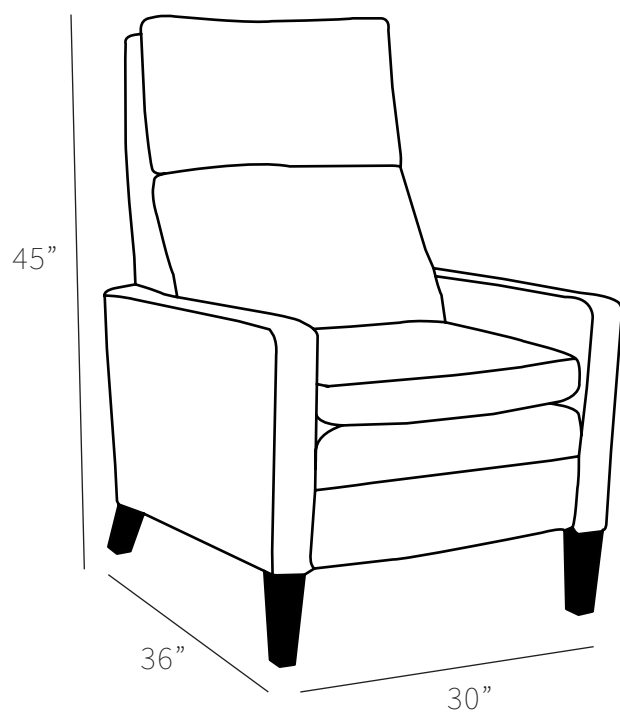




# OSCAR

## Push Back Recliner Chair

All our leather and fabric furniture can be customized to the size & colour of your choice. Also available as a condo sofa, loveseat, chair or sectional of any size. Bench made by Rawhide Leather Furniture in Toronto, Canada.



### Overall Dimensions

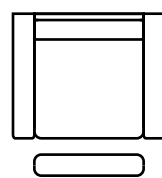
Arm Height	25"
Arm Width	3"
Seat Height	20.5"
Seat Depth	19"

Measurements	Length	Depth	Height
Chair	30"	36"	45"

**\*All measurements are approximate**

**- NO MODIFICATIONS ON RECLINERS**

### Available Styles



Chair

### Details

- Available in premium Italian top & full grain leathers or premium quality fabrics
- Handcrafted in Toronto, Canada by Rawhide
- Kiln-dried Canadian ethically sourced hardwood
- Eco-friendly construction
- Double-doweled frame
- Corner block joinery
- Commercial Grade wall away steel reclining mechanism made in North America, available in both manual and power. Power headrests available. Standard and oversize seats available
- Standard depth. Standard seat width.
- Ultra cell firm seats standard (high density foam designed for commercial and contract use) other options available
- All furniture available with your choice of over 20 decorative nail options in varying sizes and colours. There is also the ability to omit studs from any piece
- Wood block feet available in multiple sizes and finishes. Chrome and brushed steel legs also available in multiple sizes
- Rawhide Leather and Fabric Furniture offers you a lifetime warranty on the construction and springs on your piece. To find out more about the best warranty in Canada, please visit our "Construction" page.